

CANDIDATE
NAME

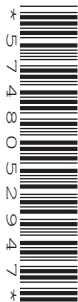
--

CENTRE
NUMBER

--	--	--	--	--

CANDIDATE
NUMBER

--	--	--	--



CHEMISTRY

5070/22

Paper 2 Theory

October/November 2015

1 hour 30 minutes

Candidates answer on the Question Paper.

No Additional Materials are required.

READ THESE INSTRUCTIONS FIRST

Write your Centre number, candidate number and name on all the work you hand in.

Write in dark blue or black pen.

You may use an HB pencil for any diagrams or graphs.

Do not use staples, paper clips, glue or correction fluid.

DO NOT WRITE IN ANY BARCODES.

Section A

Answer **all** questions.

Write your answers in the spaces provided in the Question Paper.

Section B

Answer any **three** questions.

Write your answers in the spaces provided in the Question Paper.

Electronic calculators may be used.

You may lose marks if you do not show your working or if you do not use appropriate units.

A copy of the Periodic Table is printed on page 20.

At the end of the examination, fasten all your work securely together.

The number of marks is given in brackets [] at the end of each question or part question.

This document consists of **20** printed pages.

Section A

Answer **all** the questions in this section in the spaces provided.

The total mark for this section is 45.

A1 Choose from the following elements to answer the questions below.

aluminium
argon
carbon
copper
iodine
iron
lead
magnesium
nitrogen
oxygen
sulfur

Each of these elements can be used once, more than once or not at all.

Which element

(a) has an ion which, in aqueous solution, reacts with aqueous sodium hydroxide to give a red-brown precipitate,

.....[1]

(b) has an atom with an electronic configuration with only five occupied electron shells,

.....[1]

(c) has an oxide which decolourises acidified potassium manganate(VII),

.....[1]

(d) has a sulfate which is insoluble in water,

.....[1]

(e) provides an inert atmosphere for the extraction of reactive metals,

.....[1]

(f) produces ammonia when it is warmed with an aqueous mixture of sodium nitrate and sodium hydroxide?

.....[1]

[Total: 6]

A2 Plants contain many different types of carbon compounds.

(a) Carbon compounds are made in plants by photosynthesis.

Write the overall equation for photosynthesis and state the conditions required for this process.

.....
.....
.....[3]

(b) Starch is a polymer found in plants.
Starch can be hydrolysed.

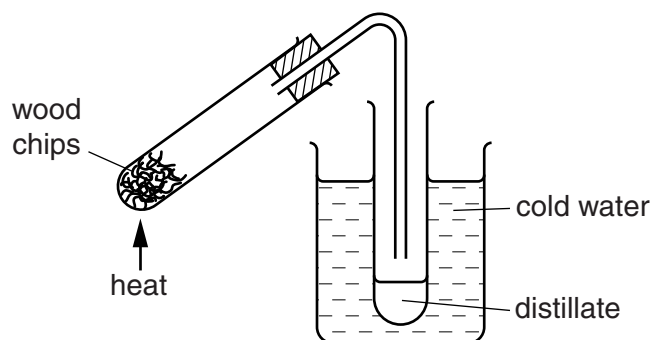
(i) Give the name of the product formed when starch is hydrolysed.

.....[1]

(ii) Give the reagent and conditions needed to hydrolyse starch.

.....[2]

(c) When wood chips are heated in the absence of air, a colourless distillate is formed.



The distillate contains ethanoic acid, esters and other organic compounds.

(i) Ethanoic acid reacts with calcium hydroxide to form a salt and water.

Give the name and formula of the salt formed.

name

formula [2]

(ii) One of the esters in the distillate has the molecular formula, $C_4H_8O_2$.

Draw the structure of an ester with this formula, showing all the atoms and all the bonds.

[1]

(iii) The distillate also contains a compound with the following composition.

element	percentage by mass
carbon	37.5
hydrogen	12.5
oxygen	50.0

Deduce the empirical formula of this compound.

empirical formula[2]

[Total: 11]

A3 Water for use in the home is treated using carbon and chlorine.

(a) Explain the purpose of using carbon and chlorine in water treatment.

carbon.....

chlorine [2]

(b) In some parts of the world, drinking water is purified by desalination.

What is meant by the term *desalination*?

..... [1]

(c) River water may contain pollutants from agricultural sources.
These pollutants may cause eutrophication.

Give the names of two anions present in fertilisers which contribute to eutrophication.

..... and [1]

(d) An aqueous solution of barium chloride is added to a sample of water which contains sulfate ions. A white precipitate forms.

Construct an ionic equation, including state symbols, for this reaction.

..... [2]

[Total: 6]

A4 Iron is extracted in a blast furnace. The raw materials required are

- iron ore, which contains iron(III) oxide, Fe_2O_3 ,
- limestone,
- coke (carbon),
- air.

- (a)** The coke first burns in air to form carbon dioxide.
The carbon dioxide is then reduced by coke to produce carbon monoxide.
The carbon monoxide reduces the iron(III) oxide to iron.

Write equations for

- (i)** the reduction of carbon dioxide by coke,

.....[1]

- (ii)** the reduction of iron(III) oxide to iron by carbon monoxide.

.....[1]

- (b)** Why is limestone added to the blast furnace?

.....[1]

- (c)** Another ore of iron contains an oxide with the formula Fe_3O_4 .

Calculate the percentage by mass of iron in Fe_3O_4 .

[2]

- (d) Iron can be obtained by the electrolysis of an aqueous acidified solution of iron(II) sulfate. The reactions at the electrodes are given.



Which reaction is oxidation and which is reduction? Explain your answer.

.....
.....
.....[2]

- (e) Attaching magnesium strips to the iron hulls of ships can lower their rate of rusting.

Explain how the magnesium stops the iron from rusting.

.....
.....
.....
.....[2]

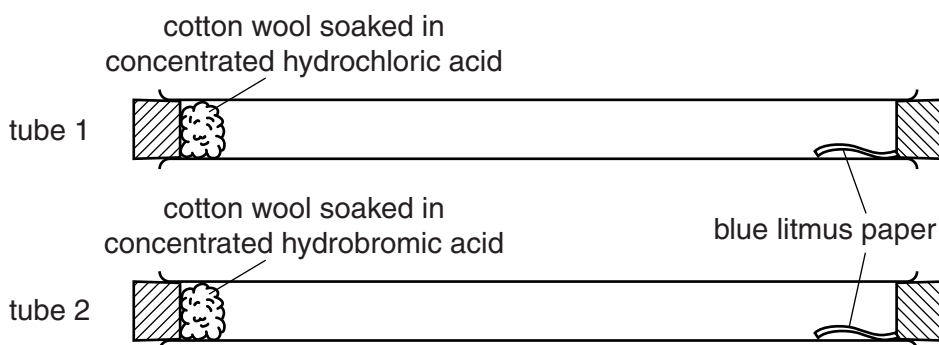
- (f) Aqueous iron(II) chloride is one of the products formed when iron reacts with hydrochloric acid.

Construct an equation for this reaction.

.....[1]

[Total: 10]

A5 (a) Two students set up tubes as shown.



Concentrated hydrochloric acid produces fumes of hydrogen chloride.
 Concentrated hydrobromic acid produces fumes of hydrogen bromide.

Four minutes after setting up the experiment, the litmus paper in tube 1 turns red.
 Seven minutes after setting up the experiment, the litmus paper in tube 2 turns red.

Use the kinetic particle theory to explain

(i) how the gases move through the tubes,

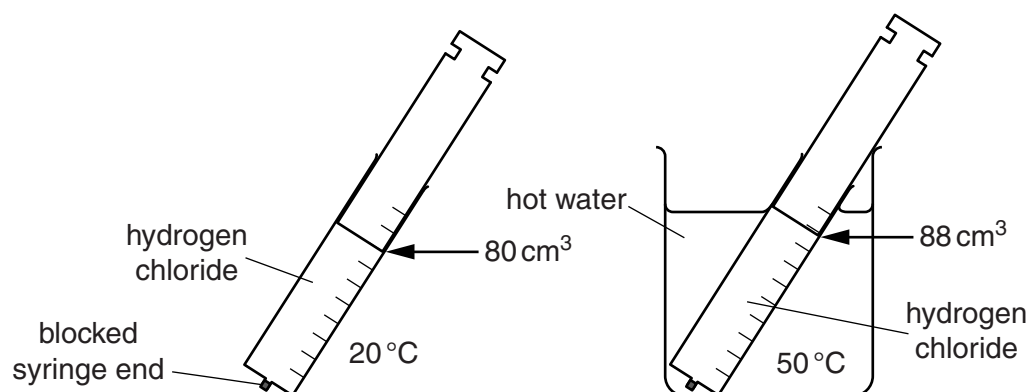
.....

 [2]

(ii) why the gases take different times to reach the litmus paper.

.....
 [1]

- (b) A gas syringe is filled with 80 cm^3 of hydrogen chloride gas at 20°C . The syringe is placed in some hot water at 50°C . The atmospheric pressure does not change but the volume of the gas in the syringe increases to 88 cm^3 .



Use the kinetic particle theory to explain why the volume increases.

.....

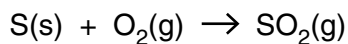
.....

.....

.....[2]

[Total: 5]

A6 When one mole of sulfur burns, 247 kJ of energy is released.



(a) Calculate the energy released when 9.60 g of sulfur is burnt.

[2]

(b) When sulfur dioxide is passed through aqueous sodium hydroxide, sodium hydrogensulfite is formed. Sodium hydrogensulfite contains the hydrogensulfite ion, HSO_3^- .

Construct the ionic equation for this reaction.

.....[1]

(c) The hydrogensulfite ion is a weaker acid than ethanoic acid.

Samples of 0.1 g of magnesium are added separately to 0.1 mol/dm^3 ethanoic acid and 0.1 mol/dm^3 hydrogensulfite ions.

Explain why the reaction is faster with ethanoic acid.

.....

[2]

(d) Calculate the volume of 0.10 mol/dm^3 sodium hydroxide which contains 3.2 g of sodium hydroxide.

volume of aqueous sodium hydroxide = cm^3 [2]

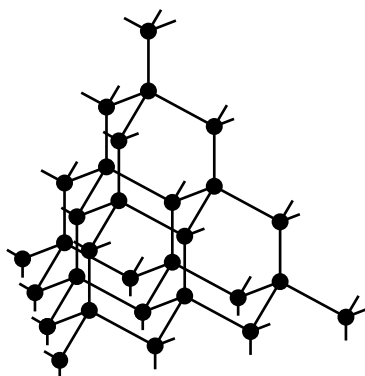
[Total: 7]

Section B

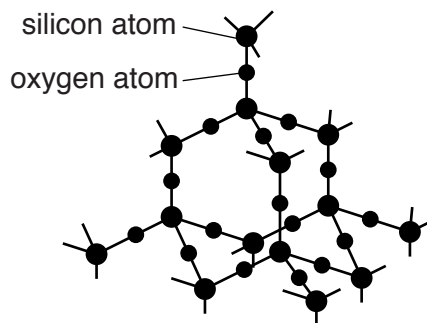
Answer **three** questions from this section in the spaces provided.

The total mark for this section is 30.

B7 The structures of diamond and silicon dioxide are shown.



diamond



silicon dioxide

(a) Describe one similarity in the structures of diamond and silicon dioxide.

.....[1]

(b) Explain why silicon dioxide has a high melting point.

.....

.....[2]

(c) Silicon dioxide reacts with hot concentrated sodium hydroxide to form sodium silicate, Na_2SiO_3 .

Deduce the formula of the silicate ion.

.....[1]

(d) Explain why diamond does not conduct electricity.

.....[1]

(e) Graphite is a form of carbon which conducts electricity.
Graphite is used as electrodes in electrolysis.

What is the meaning of the term *electrolysis*?

.....

.....[1]

- (f) Aluminium is extracted by the electrolysis of molten aluminium oxide dissolved in cryolite.

Construct the equation for the reaction at

- (i) the anode (positive electrode),

.....[1]

- (ii) the cathode (negative electrode).

.....[1]

- (g) An isotope of silicon is represented by the symbol ${}_{14}^{29}\text{Si}$.

Deduce the number of protons and neutrons in this isotope.

number of protons

number of neutrons[1]

- (h) Silicon has a relative atomic mass of 28.

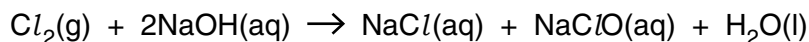
Define the term *relative atomic mass*.

.....

.....[1]

[Total: 10]

B8 Chlorine reacts with sodium hydroxide.



- (a) A volume of 144 cm³ of chlorine gas, measured at room temperature and pressure, is passed into 38.0 cm³ of 0.250 mol/dm³ sodium hydroxide.

Show by calculation which reactant is in excess.

[3]

- (b) Chlorine displaces bromine from an aqueous solution of potassium bromide.

- (i) Construct the equation for this reaction.

.....[2]

- (ii) Explain why bromine does not react with aqueous potassium chloride.

.....
[1]

- (iii) Give the charge of a chloride ion and its electronic configuration.

charge

electronic configuration[2]

- (c) Explain why sodium chloride does not conduct electricity when solid but does conduct electricity when molten.

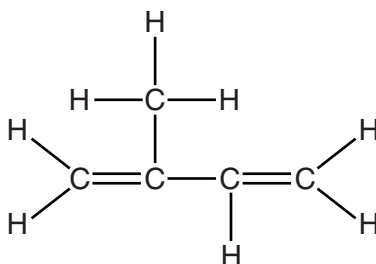
.....

[2]

[Total: 10]

Question B9 begins on page 16.

- B9** When rubber is heated in the absence of air, a small amount of isoprene is formed. The structure of isoprene is shown.



- (a)** Isoprene is an unsaturated hydrocarbon.

Describe a test for an unsaturated hydrocarbon.

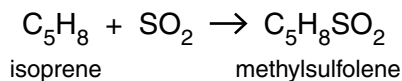
.....
 [2]

- (b)** Isoprene is a liquid at 25°C.

Describe the arrangement and motion of the particles in isoprene at 25°C.

.....
 [2]

- (c)** Isoprene reacts with sulfur dioxide to form methylsulfolene.



Calculate the maximum mass of methylsulfolene that can be formed from 100 g of isoprene.

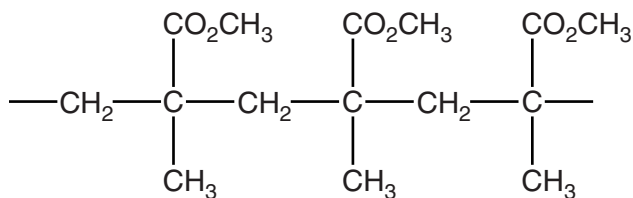
mass of methylsulfolene = g [3]

(d) (i) What feature of the isoprene molecule is responsible for it forming an addition polymer?

.....[1]

(ii) *Perspex* is also an addition polymer.

The diagram shows part of the polymer chain of *Perspex*.

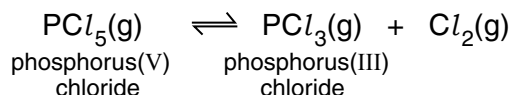


Deduce the formula of the monomer used to make *Perspex*.

[2]

[Total: 10]

B10 At 200°C and 200 atmospheres pressure, phosphorus(V) chloride forms an equilibrium mixture with phosphorus(III) chloride and chlorine.



- (a) Predict and explain the effect of decreasing the pressure on the position of this equilibrium. The temperature remains constant.

.....

 [2]

- (b) Predict and explain the effect of increasing the concentration of chlorine on the position of this equilibrium.

.....

 [2]

- (c) The table shows the percentage of phosphorus(III) chloride in the equilibrium mixture at different temperatures. The pressure is the same in each case.

temperature/°C	% PCl ₃ in the mixture
200	48
300	95
400	99

- (i) Describe how the composition of this equilibrium mixture changes with temperature.

.....
 [1]

- (ii) Explain what this tells you about the energy change in this reaction.

.....
 [1]

(d) How is the position of equilibrium affected by the presence of a catalyst?

.....[1]

(e) The rate of this reaction increases with increase in temperature.
Explain why.

.....
.....
.....
.....[2]

(f) Phosphorus(V) chloride reacts with water. Phosphoric acid, H_3PO_4 , and hydrogen chloride are formed.

Construct the equation for this reaction.

.....[1]

[Total: 10]

Permission to reproduce items where third-party owned material protected by copyright is included has been sought and cleared where possible. Every reasonable effort has been made by the publisher (UCLES) to trace copyright holders, but if any items requiring clearance have unwittingly been included, the publisher will be pleased to make amends at the earliest possible opportunity.

To avoid the issue of disclosure of answer-related information to candidates, all copyright acknowledgements are reproduced online in the Cambridge International Examinations Copyright Acknowledgements Booklet. This is produced for each series of examinations and is freely available to download at www.cie.org.uk after the live examination series.

Cambridge International Examinations is part of the Cambridge Assessment Group. Cambridge Assessment is the brand name of University of Cambridge Local Examinations Syndicate (UCLES), which is itself a department of the University of Cambridge.

DATA SHEET
The Periodic Table of the Elements

		Group																																																																																																																																																																																																																																																																																																																																																																																																																																																																																																																																																																																																																																																																																																																																					
		I	II	III	IV	V	VI	VII	0																																																																																																																																																																																																																																																																																																																																																																																																																																																																																																																																																																																																																																																																																																																														
		<table style="width: 100%; border-collapse: collapse;"> <tr> <td style="width: 10%; text-align: center;">1</td> <td style="width: 10%; text-align: center;">H Hydrogen 1</td> <td colspan="8"></td> <td style="width: 10%; text-align: center;">4</td> <td style="width: 10%; text-align: center;">He Helium 2</td> </tr> </table>										1	H Hydrogen 1									4	He Helium 2																																																																																																																																																																																																																																																																																																																																																																																																																																																																																																																																																																																																																																																																																																																
1	H Hydrogen 1									4	He Helium 2																																																																																																																																																																																																																																																																																																																																																																																																																																																																																																																																																																																																																																																																																																																												
3	7	9	11	12	13	14	15	16	17	18	19	20																																																																																																																																																																																																																																																																																																																																																																																																																																																																																																																																																																																																																																																																																																																											
Li Lithium	Be Beryllium	B Boron	C Carbon	N Nitrogen	O Oxygen	F Fluorine	Ne Neon	Na Sodium	Mg Magnesium	Al Aluminium	Si Silicon	P Phosphorus	S Sulfur	Cl Chlorine	Ar Argon																																																																																																																																																																																																																																																																																																																																																																																																																																																																																																																																																																																																																																																																																																																								
19	37	39	40	41	42	43	44	45	46	47	48	49	50	51	52	53	54																																																																																																																																																																																																																																																																																																																																																																																																																																																																																																																																																																																																																																																																																																																						
K Potassium	Rb Rubidium	Cs Caesium	Fr Francium	Ca Calcium	Sr Strontium	Ba Barium	Ra Radium	Sc Scandium	Y Yttrium	La Lanthanum	Ac Actinium	Ti Titanium	Zr Zirconium	Hf Hafnium	V Vanadium	Nb Niobium	Ta Tantalum	Cr Chromium	Mn Manganese	Fe Iron	Co Cobalt	Ni Nickel	Cu Copper	Zn Zinc	Ga Gallium	Ge Germanium	As Arsenic	Se Selenium	Br Bromine	Kr Krypton																																																																																																																																																																																																																																																																																																																																																																																																																																																																																																																																																																																																																																																																																																									
55	85	133	223	88	89	90	91	92	93	94	95	96	97	98	99	100	101	102	103	104	105	106	107	108	109	110	111	112	113	114	115	116	117	118	119	120	121	122	123	124	125	126	127	128	129	130	131	132	133	134	135	136	137	138	139	140	141	142	143	144	145	146	147	148	149	150	151	152	153	154	155	156	157	158	159	160	161	162	163	164	165	166	167	168	169	170	171	172	173	174	175	176	177	178	179	180	181	182	183	184	185	186	187	188	189	190	191	192	193	194	195	196	197	198	199	200	201	202	203	204	205	206	207	208	209	210	211	212	213	214	215	216	217	218	219	220	221	222	223	224	225	226	227	228	229	230	231	232	233	234	235	236	237	238	239	240	241	242	243	244	245	246	247	248	249	250	251	252	253	254	255	256	257	258	259	260	261	262	263	264	265	266	267	268	269	270	271	272	273	274	275	276	277	278	279	280	281	282	283	284	285	286	287	288	289	290	291	292	293	294	295	296	297	298	299	300	301	302	303	304	305	306	307	308	309	310	311	312	313	314	315	316	317	318	319	320	321	322	323	324	325	326	327	328	329	330	331	332	333	334	335	336	337	338	339	340	341	342	343	344	345	346	347	348	349	350	351	352	353	354	355	356	357	358	359	360	361	362	363	364	365	366	367	368	369	370	371	372	373	374	375	376	377	378	379	380	381	382	383	384	385	386	387	388	389	390	391	392	393	394	395	396	397	398	399	400	401	402	403	404	405	406	407	408	409	410	411	412	413	414	415	416	417	418	419	420	421	422	423	424	425	426	427	428	429	430	431	432	433	434	435	436	437	438	439	440	441	442	443	444	445	446	447	448	449	450	451	452	453	454	455	456	457	458	459	460	461	462	463	464	465	466	467	468	469	470	471	472	473	474	475	476	477	478	479	480	481	482	483	484	485	486	487	488	489	490	491	492	493	494	495	496	497	498	499	500	501	502	503	504	505	506	507	508	509	510	511	512	513	514	515	516	517	518	519	520	521	522	523	524	525	526	527	528	529	530	531	532	533	534	535	536	537	538	539	540	541	542	543	544	545	546	547	548	549	550	551	552	553	554	555	556	557	558	559	560	561	562	563	564	565	566	567	568	569	570	571	572	573	574	575	576	577	578	579	580	581	582	583	584	585	586	587	588	589	590	591	592	593	594	595	596	597	598	599	600	601	602	603	604	605	606	607	608	609	610	611	612	613	614	615	616	617	618	619	620	621	622	623	624	625	626	627	628	629	630	631	632	633	634	635	636	637	638	639	640	641	642	643	644	645	646	647	648	649	650	651	652	653	654	655	656	657	658	659	660	661	662	663	664	665	666	667	668	669	670	671	672	673	674	675	676	677	678	679	680	681	682	683	684	685	686	687	688	689	690	691	692	693	694	695	696	697	698	699	700	701	702	703	704	705	706	707	708	709	710	711	712	713	714	715	716	717	718	719	720	721	722	723	724	725	726	727	728	729	730	731	732	733	734	735	736	737	738	739	740	741	742	743	744	745	746	747	748	749	750	751	752	753	754	755	756	757	758	759	760	761	762	763	764	765	766	767	768	769	770	771	772	773	774	775	776	777	778	779	780	781	782	783	784	785	786	787	788	789	790	791	792	793	794	795